

Product Information

Flow Meter
GR-065GK



- Minimum measurement quantity
- Convex cut for enlargement
- Optionally valve
- Good resistance to medium

Characteristics

A float moves in a transparent conical measurement tube, relative to the flow. The position of the float depends on the volume flow (weight force versus resistance to flow), and indicates the flow rate on the scaled measurement tube.

Technical data

| | | |
|-------------------------------------|--|--------------------------------|
| Switch | without | |
| Nominal width | DN 4 | |
| Process connection | female thread 1/8" NPT | |
| Metering range | 0.002..43.3 l/min | for details see table "Ranges" |
| Q_{max} | 120 % of full scale value | |
| Tolerance | ±5 % of full scale value | |
| Pressure resistance | PN 12 bar | |
| Medium temperature | -20..+90 °C | |
| Ambient temperature | -20..+70 °C | |
| Media | water, gases | |
| Electrical data | none | |
| Materials medium-contact | borosilicate glass , glass, stainless steel, FKM | |
| Non-medium-contact materials | glass, CW614N valve: ABS, CW614N | |
| Weight | 0.5 kg | |
| Installation location | vertical inwards flow from below | |

Ranges

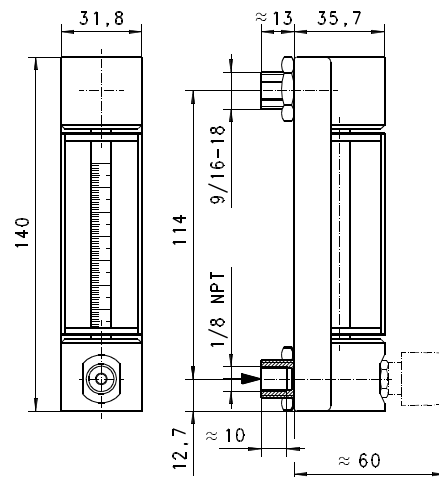
The details in the table correspond to a vertical inwards flow from below.

The metering ranges for air correspond to a temperature of the medium of 0 °C and a pre-pressure of 1.013 bar.

The scale has millimetre divisions. With the aid of the conversion diagrams included in the scope of the delivery, the flow rate can rapidly be determined.

| Metering range Air cm³/min | Metering range H₂O cm³/min | Float | Types |
|----------------------------------|----------------------------------|-----------------|---------------|
| 2 - 51 | | Glass | GR-065GK0005G |
| 5 - 103 | | Stainless steel | GR-065GK0010G |
| 5 - 153 | | | GR-065GK0015K |
| 10 - 298 | | Glass | GR-065GK0029K |
| 20 - 400 | | | GR-065GK0040G |
| 40 - 855 | 0.90 - 21.0 | Stainless steel | GR-065GK0085K |
| 20 - 900 | 0.20 - 18.2 | Glass | GR-065GK0090G |
| 50 - 1800 | 1.00 - 50.0 | Stainless steel | GR-065GK0180K |
| 100 - 2580 | 2.00 - 55.0 | Glass | GR-065GK0258G |
| 100 - 3930 | 2.00 - 90.0 | | GR-065GK0393G |
| 277 - 5030 | 3.27 - 144.0 | Stainless steel | GR-065GK0503K |
| 100 - 6000 | 2.00 - 130.0 | Glass | GR-065GK0600G |
| 300 - 7510 | 5.00 - 220.0 | Stainless steel | GR-065GK0751K |
| 150 - 10100 | 3.00 - 235.0 | Glass | GR-065GK1010G |
| 250 - 11450 | 5.00 - 335.0 | Stainless steel | GR-065GK1145K |
| 800 - 15750 | 10.00 - 375.0 | Glass | GR-065GK1575G |
| 400 - 18960 | 10.00 - 560.0 | Stainless steel | GR-065GK1896K |
| 700 - 23640 | 10.00 - 570.0 | Glass | GR-065GK2364G |
| 2000 - 29400 | 40.00 - 880.0 | Stainless steel | GR-065GK2940K |
| 2000 - 43340 | 50.00 - 1305.0 | | GR-065GK4334K |

Dimensions



Product Information

Handling and operation

- Include straight calming section of 5 x DN in inlet and outlet
- If the media are dirty, install a filter

Ordering code

GR 1. 2. 3. 4. 5. 6.

GR 065 G

○=Option

| | | | |
|--|--------------------------------------|----------------|---|
| 1. Valve | | | |
| - | without valve | | |
| V- | with valve | | |
| 2. Length of scale | | | |
| 065 | 65 mm | | |
| 3. Process connection | | | |
| G | female thread | | |
| 4. Connection material | | | |
| K | stainless steel | | |
| A | ○ aluminium | | |
| M | ○ brass | | |
| 5. Display range cm³/min for vertical inwards flow | | | |
| | Air (0 °C, 1.013 bar abs.) | Water | |
| 0005 | 2 - 51 | | ● |
| 0010 | 5 - 103 | | ● |
| 0015 | 5 - 153 | | ● |
| 0029 | 10 - 298 | | ● |
| 0040 | 20 - 400 | | ● |
| 0085 | 40 - 855 | 0.90 - 21.0 | ● |
| 0090 | 20 - 900 | 0.20 - 18.2 | ● |
| 0180 | 50 - 1800 | 1.00 - 50.0 | ● |
| 0258 | 100 - 2580 | 2.00 - 55.0 | ● |
| 0393 | 100 - 3930 | 2.00 - 90.0 | ● |
| 0503 | 277 - 5030 | 3.27 - 144.0 | ● |
| 0600 | 100 - 6000 | 2.00 - 130.0 | ● |
| 0751 | 300 - 7510 | 5.00 - 220.0 | ● |
| 1010 | 150 - 10100 | 3.00 - 235.0 | ● |
| 1145 | 250 - 11450 | 5.00 - 335.0 | ● |
| 1575 | 800 - 15750 | 10.00 - 375.0 | ● |
| 1896 | 400 - 18960 | 10.00 - 560.0 | ● |
| 2364 | 700 - 23640 | 10.00 - 570.0 | ● |
| 2940 | 2000 - 29400 | 40.00 - 880.0 | ● |
| 4334 | 2000 - 43340 | 50.00 - 1305.0 | ● |
| 6. Float | | | |
| G | glass | | |
| K | stainless steel | | |

Options

- Float made from sapphire, tantalum, or carbon
- Brass valve
- Valve with fine adjustment
- special ranges are possible

Ordering information

- Specify direction of flow, medium, and display range.
- For gases, state pressure (relative or absolute), temperature and medium (e.g. air) (request display range)